

W/4
secs 103 42

COPY

Index C-5

CERTIFICATE OF LOCATION OF GOVERNMENT CORNER

EAST QUARTER Corner of Section 6, Township 103N, Range 42W

5th Principal Meridian, State of Minnesota, County of Nobles.

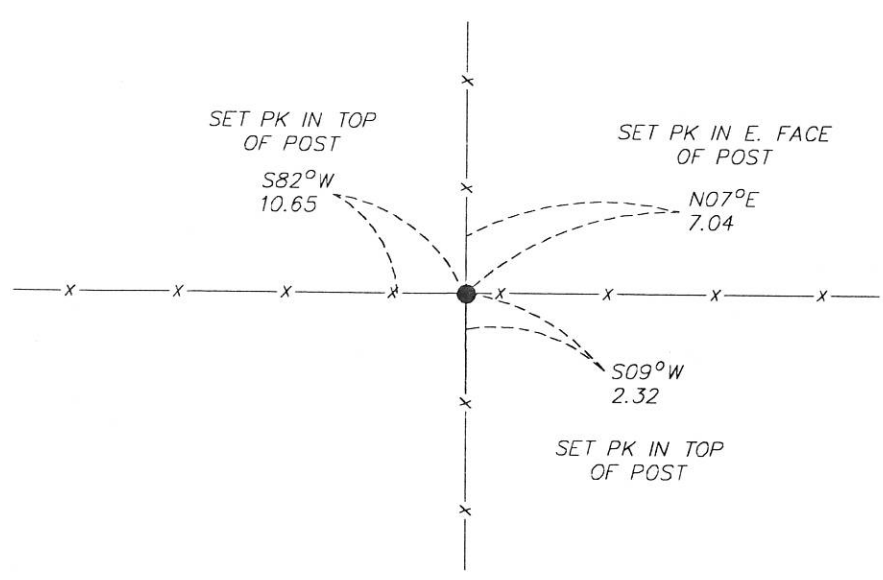
At the corner location shown on the sketch:

On 12/6/17 found a 9" X 13" X 16" STONE NEAR THE FENCE INTERSECTION.
DATE

left monument as found lowered monument removed monument (explain)

On 12/6/17 placed a 1/2" REBAR ON THE EAST SIDE OF THE STONE
DATE

SKETCH OF REFERENCE TIES



Statement of evidence for this corner location is on back of this page.

I hereby certify that this document was researched and prepared by me or under my direct supervision and that I am a licensed Land Surveyor under the laws of the State of Minnesota.

Signature K.W.L.

Date 1/8/18 License No. 49563

Title:

- Land Surveyor Professional Engineer
- County Surveyor County Engineer

OFFICE OF THE COUNTY RECORDER

County of Nobles

I hereby certify that this document was filed in the Co.

Recorder's office at _____ M. on the _____ day of _____ A.D. 20____

County Recorder _____

by _____, Deputy

DOCUMENT NO. _____

KRIS WROOLIE
Minnesota License No. 49563

Statement of Evidence:

C-5

East Quarter Corner of Section 6, Township 103 North, Range 42 West, 5th Principal Meridian, Nobles County, Minnesota.

1869-Deputy Surveyor set a post in mound with pits.

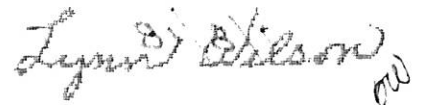
1901- Nobles County Highway Department "Corner Ties Book" calls for a stone to mark the corner location.

1910- Nobles County Highway Department "Corner Ties Book" calls for a stone to mark the corner location.

2017 - Westwood Professional Services recovered a 9" x 13" x 16" planted stone near the intersection of fence lines north/south/east/west. The stone agrees closely with the 1901 survey distances. Accepting as the best available evidence for the corner. A 1/2" rebar was placed on the east side of the stone as a magnetic reference. Ties were found or set as shown on the front of this certificate.

Analysis of the recovered data, field evidence and survey measurements, indicates that the monument found is the correct perpetuation of this corner. For additional information concerning this corner please contact Westwood Professional Services.

DOCUMENT NUMBER A 357392
Certified, Filed and or Recorded on
February 28, 2018 12:43 PM



NOBLES COUNTY RECORDER
LYNN M. WILSON
507-295-5268