

6  
12

S/4  
sec 9  
104  
41

COPY

Index J-11

# CERTIFICATE OF LOCATION OF GOVERNMENT CORNER

NORTH QUARTER Corner of Section 16, Township 104N, Range 41W

5th Principal Meridian, State of Minnesota, County of Nobles.

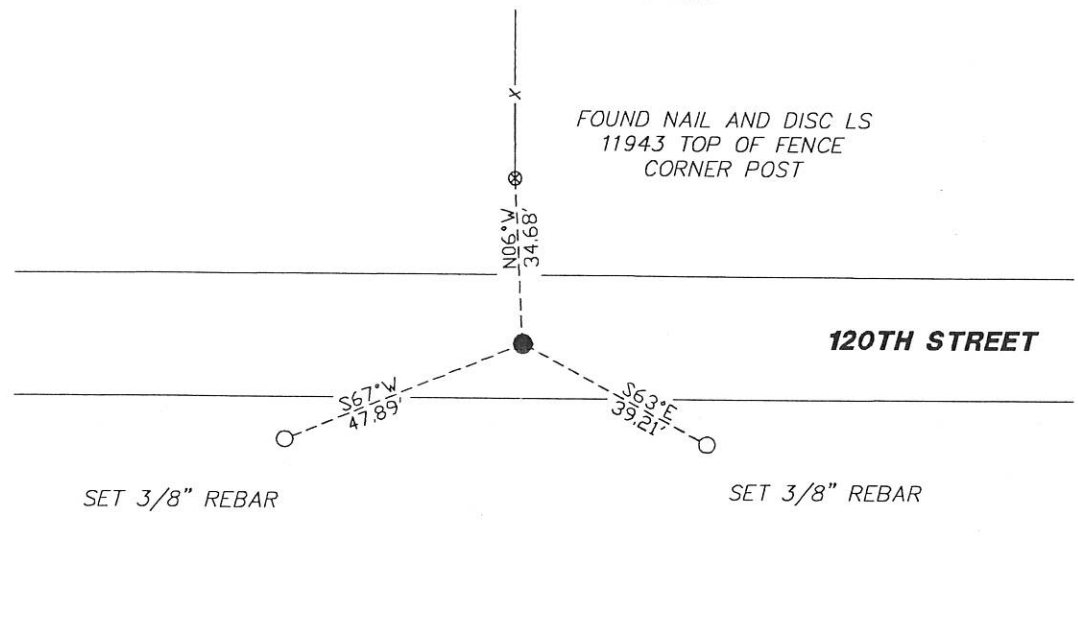
At the corner location shown on the sketch:

On 11/29/2017 found a 1" PIPE CAPPED 11943 ON CENTERLINE AND A FENCE TO THE NORTH  
DATE

left monument as found     lowered monument     removed monument (explain)

On \_\_\_\_\_ placed a \_\_\_\_\_  
DATE

### SKETCH OF REFERENCE TIES



N.T.S.

Statement of evidence for this corner location is on back of this page.

I hereby certify that this document was researched and prepared by me or under my direct supervision and that I am a licensed Land Surveyor under the laws of the State of Minnesota.

Signature L.M. Wilson

Date 1/29/18 License No. 49563

Title:

- Land Surveyor     Professional Engineer
- County Surveyor     County Engineer

DOCUMENT NUMBER A 357573  
Certified, Filed and or Recorded on  
March 07, 2018 3:10 PM

*Lynn Wilson*

NOBLES COUNTY RECORDER  
LYNN M. WILSON  
507-295-5268

Pages: 2

KRIS WROOLIE  
Minnesota License No. 49563

**Statement of Evidence:**

J-11

North Quarter Corner of Section 16, Township 104 North, Range 41 West, 5<sup>th</sup> Principal Meridian, Nobles County, Minnesota.

1868-Deputy Surveyor set a post in mound with pits.

1937 - Nobles County Highway Department "Corner Ties Book" notes a stone marking the corner location.

2017-On November 29th, Westwood Professional Services recovered a 1" pipe capped 11943 on centerline and a fence line to the north. Ties were found or set as shown on the front of this certificate.

Analysis of the recovered data, field evidence and survey measurements, indicates that the monument found is the correct perpetuation of this corner. For additional information concerning this corner please contact Westwood Professional Services.

*[Handwritten signature]*  
8/17/21